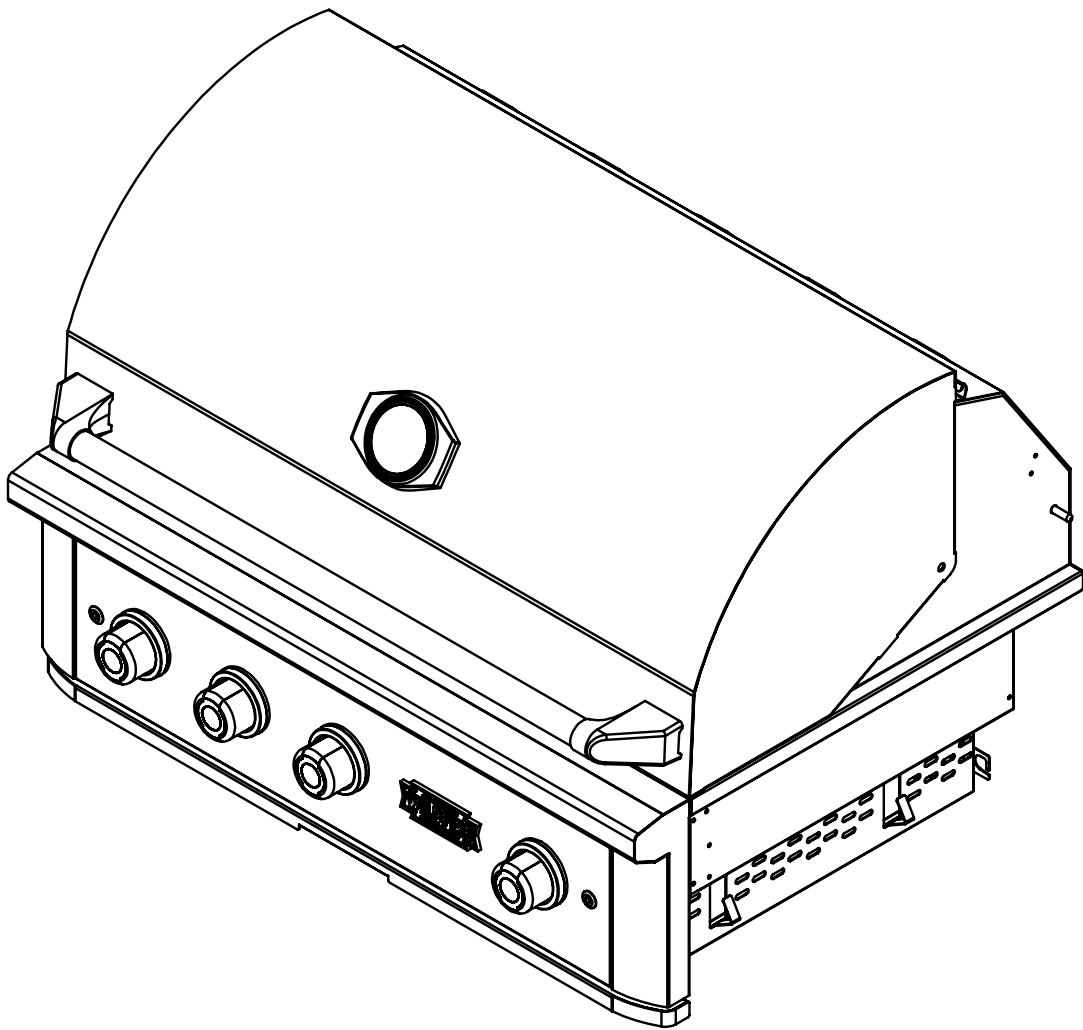




Stainless Steel Gas Grill & Griddle  
**Set up Manual**  
For Liquid Propane and Natural Gas Models



**FOR OUTDOOR USE ONLY**

# Steps to unbox & set up your new gas grill or griddle

## Steps 1 - 6



**STEP 1**

Cut straps on the box.



**STEP 2**

Remove top of the box.



**STEP 3**

Remove side of box.



**STEP 4**

Remove all sides.



**STEP 5**

Continue removing all sides.



**STEP 6**

Continue removing all sides.

# Steps to unbox & set up your new gas grill or griddle

## Steps 7 - 12



**STEP 7**

Unit ready to have packing removed.



**STEP 8**

Carefully cut packing around unit.



**STEP 9**

Continue cutting packing around unit.



**STEP 10**

Continue cutting packing around unit



**STEP 11**

Your grill will have a temporary protective film on it. LEAVE on cover until install is complete. REMOVE before cooking.



**STEP 12**

Open grill to remove components and manual,

# Steps to unbox & set up your new gas grill or griddle

## Steps 13 - 18



### STEP 13

Cut zip ties to remove components.



### STEP 14

Remove components.



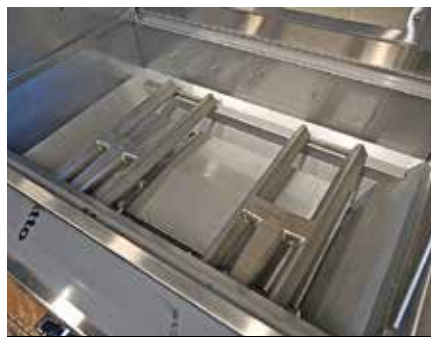
### STEP 15

Remove cooking grates.



### STEP 16

Remove cooking flame tamers



### STEP 17

KEEP burners in place inside the grill.

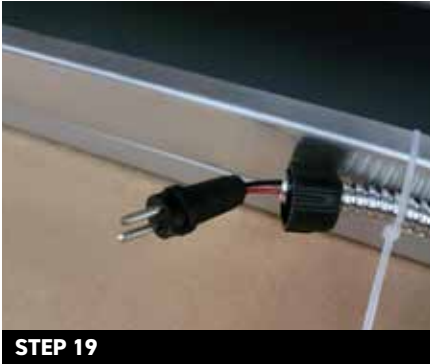


### STEP 18

Locate plug-in in grill.

# Steps to unbox & set up your new gas grill or griddle

## Steps 19 - 24



**STEP 19**

Locate plug-in in grill.



**STEP 20**

Insert your grill in cart or built-in area. Insert carefully and make sure no edges bend.



**STEP 21**

Once grill is installed securely, begin to place componets in the grill.



**STEP 22**

Flame tammers rest on the lower pins inside the grill. For each flame tammer, there are 2 pins on the back wall and 2 on the front inside of the grill.



**STEP 23**

Carefully set flame tammers on resting pins.



**STEP 24**

Align all flames tammer evenly.

# Steps to unbox & set up your new gas grill or griddle

## Steps 25 - 30



### STEP 25

Align all flames tammer evenly.



### STEP 26

Locate area to insert heat dividers.



### STEP 27

Heat zone dividers rest on the upper pins on inside of grill.



### STEP 28

Heat zone dividers placed between flame tamers & burners.



### STEP 29

Place your laser cut cooking grates on the interior shelf.



### STEP 30

Once place side securly to the side in correct place.

# Steps to unbox & set up your new gas grill or griddle

## Steps 31 - 34 Completed



### STEP 31

Place additional cooking grates evenly in place next to installed grate.



### STEP 32

Carefully set flame tamers on resting pins.



### STEP 33

REMOVE ALL temporary film on top and grill sides.



### STEP 34 - INSTALL COMPLETE

Install complete, just hook up gas and ready to enjoy your cooking experience.

# DO NOT RETURN TO STORE!



## CALL US FIRST

For immediate help with installation, product information or if your product arrives damaged, please call our toll free number at:

# 602-344-4840

(Monday - Friday, 8:00AM - 5:00PM, AZ Mountain Time)

Or email us at:

**customerservice@wildfireoutdoorliving.com**

**OUR STAFF IS READY TO PROVIDE ASSISTANCE**

---

**RPG BRANDS**

RPG BRANDS FAMILY OF COMPANIES



---

Copyright © 2022 RPG Brands (Wildfire Outdoor Living). All rights reserved. Products and specifications subject to change without notice. The product images shown are for illustration purposes only and may not be an exact representation of the product.