

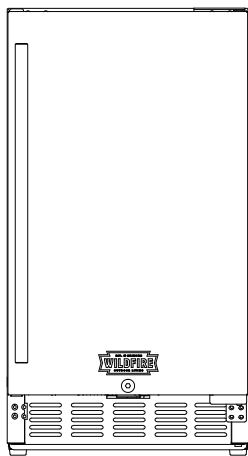
EST. IN ARIZONA

WILDFIRE

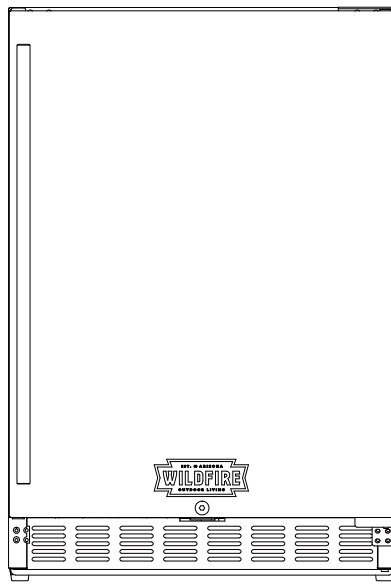
OUTDOOR LIVING

Stainless Steel Refrigerators

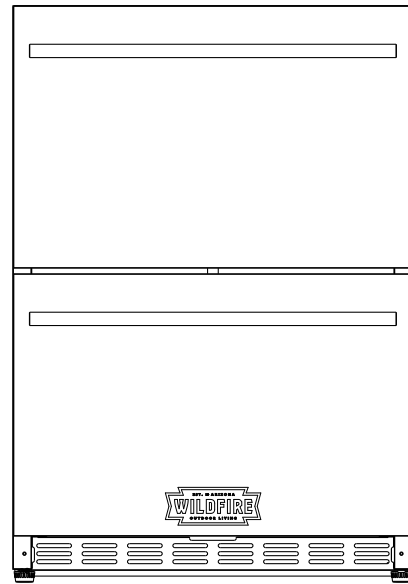
Operational Manual



15" Width
Under Counter Door
WFR-15



24" Width
Under Counter Door
WFR-24



24" Width
Under Counter Double Drawer
WFRDD-24



CONFORMS TO UL STD. 60335-1
& 60335-2-24 CERTIFIED TO
CSA STD.C22.2# NO. 60335-1 & 60335-2-24

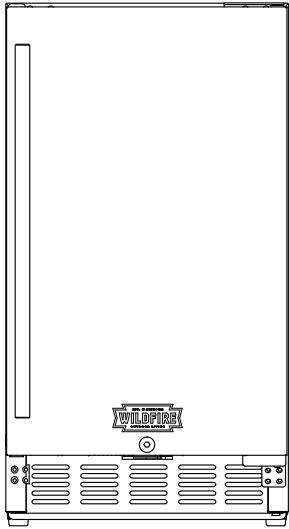
AFFIX SERIAL NUMBER
LABEL HERE

IMPORTANT: Read all instructions and warnings before using this product!
Please exercise caution and common sense.

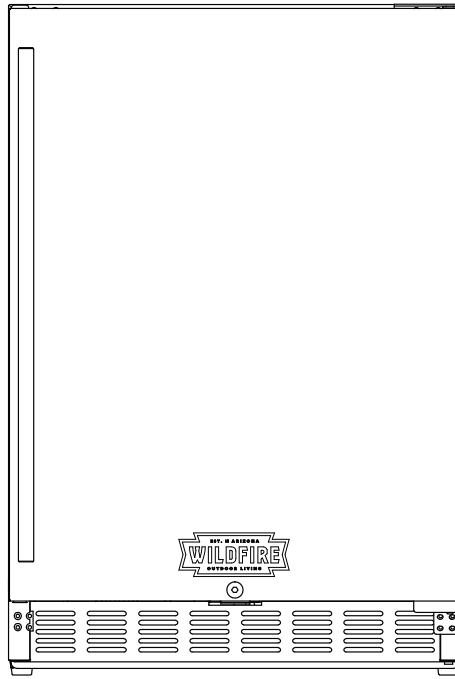
To installer or person assembling refrigerators: Leave this manual with refrigerator for future reference.

To consumer: Keep this manual for future reference as it contains important Warnings and Instructions.

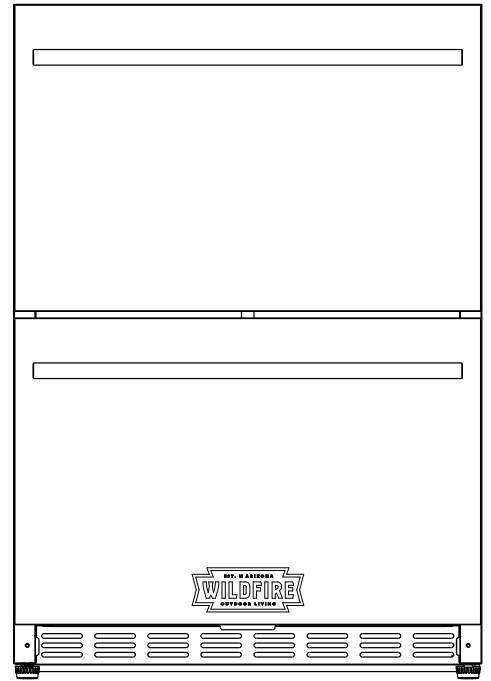
BEFORE USE, PLEASE READ AND FOLLOW ALL SAFETY RULES AND OPERATING INSTRUCTIONS.



15" Width
Under Counter Door
WFR-15



24" Width
Under Counter Door
WFR-24



24" Width
Under Counter Double Drawer
WFRDD-24

Welcome to Wildfire Outdoor Living

Please read this manual carefully to understand all the instructions about how to install, operate and maintain your refrigerator for your safety and for optimum performance and longevity. We know you'll enjoy your new refrigerator and thank you for choosing our product. We hope you consider us for future purchases.

Read and save the instructions

Obey all Warnings and Instructions.

This manual provides specific operating instructions for your model. Use your refrigerator only as instructed in this manual. These instructions are not meant to cover every possible condition and situation that may occur. Common sense and caution must be practiced when installing, operating and maintaining any appliance. If you lose this manual, a replacement copy can be downloaded from our website at www.wildfireoutdoorliving.com or call Customer Service at 602-344-4840.

Table of Contents & Critical Safety Warnings

| | |
|---|-------|
| Safety Information & Warnings | 3-5 |
| Electrical Connection | 5 |
| Extension Cord/Installing Refrigerator & Handle | 6 |
| Operating Instructions | 7 |
| Cleaning & Maintenance | 8 |
| Troubleshooting | 9-11 |
| Rating Plates | 12 |
| Exploded Parts View/List | 13-18 |

CAUTION WARNING DANGER

DANGER

DANGER means if the danger is not avoided, it will cause death or serious injury.

CAUTION

CAUTION means if the precaution is not taken, it can cause minor or moderate injury or property damage.

WARNING

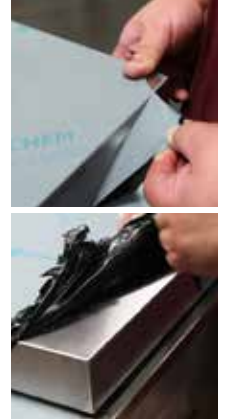
WARNING means if the warning is not heeded, it can cause death or serious injury.

REMOVING PROTECTIVE FILM

Please notice that certain parts of the refrigerator are covered in protective wrapping on stainless steel surface. It is a protective plastic coating. We put it on certain parts of the stainless steel to help protect them from getting scratched during shipping.

You **MUST REMOVE** first before using refrigerator. If you are still having a tough time removing the protective coating, by waving a hair dryer over the area will loosen up the plastic and make it easier to remove.

Always be sure to remove the protective film before using the refrigerator for the first time!



Important Warnings and Safety Instructions

⚠ CAUTION ⚠ ⚠ WARNING ⚠ ⚠ DANGER ⚠

Your safety and the safety of others is very important.

We have provided many important safety messages in this manual and on your appliance. Always read and obey all safety messages. This is the Safety Alert Symbol. The symbol alerts you to potential hazards that can kill or injure you and others. All safety messages will follow the Safety Alert Symbol and either the word DANGER or WARNING.

DANGER means that failure to heed this safety statement may result in severe personal injury or death.

WARNING means that failure to heed this safety statement may result in extensive product damage, serious personal injury, or death.

All safety messages will alert you about the potential hazard, tell you how to reduce the chance of injury, and let you know what can happen if the instructions are not followed.

IMPORTANT SAFEGUARDS

Before the appliance is used, it must be properly positioned and installed as described in this manual, so please read the manual carefully. To reduce the risk of fire, electrical shock or injury when using the appliance, follow basic precautions, including the following:

⚠ DANGER ⚠

- Plug into a grounded 3 prong outlet, do not remove grounding prong, do not use an adapter, and do not use an extension cord.
- It is recommended that a separate circuit serving only your appliance be used. Do not use outlets that can be turned off by a switch or pull chain.
- Never clean appliance parts with flammable fluids. These fumes can create a fire hazard or explosion.

- Do not store or use gasoline or other flammable vapors and liquids in the vicinity of this or any other appliance. The fumes can create a fire hazard or explosion.
- Do not connect or disconnect the plug when your hands are wet.
- Unplug the appliance or disconnect power before cleaning or servicing. Failure to do so can result in electrical shock or death.
- Do not attempt to repair or replace any part of your appliance unless it is specifically recommended in this manual.

⚠ WARNING ⚠

FOLLOW WARNING CALLOUTS BELOW ONLY WHEN APPLICABLE TO YOUR MODEL

- Use two or more people to move and install the appliance. Failure to do so can result in injury.
- To ensure proper ventilation for your appliance, the front of the unit must be completely unobstructed.
- Choose a well-ventilated area with temperatures above 50° F (~10°C) and below 110° F (~43°C).
- The appliance should not be located next to ovens, refrigerators or other sources of high heat.
- The appliance must be installed with all electrical, water, and drain connections (if applicable) in accordance with state and local codes. A standard electrical supply (110 V AC only, 60 Hz), properly grounded in accordance with the National Electrical Code and local codes and ordinances, is required.

General Safety Instructions (continued)

- Do not kink or pinch the power cord of the appliance.
- It is important that the appliance be leveled in order to work properly. You may need to make several adjustments to the feet or wheels to level it.
- All installations must be in accordance with local plumbing code requirements (if applicable).
- Make certain that the pipes are not pinched, kinked or damaged during installation.
- Check for leaks of any kind after turning on the appliance for the first time.
- Never allow children to operate, play with or crawl inside the appliance.
- Do not use solvent-based cleaning agents or abrasives on the interior. These cleaners may damage or discolor the interior.
- Use this appliance only for its intended purpose as described in this instruction manual.

- Keep fingers out of the “pinch point” areas. Clearances between the door and cabinet are necessarily small. Be careful closing the door when children are nearby.

CAUTION

CAUTION indicates a potentially hazardous situation which, if not avoided, may result in minor or moderate personal injury, or property damage.

Attention: Child Entrapment Risk!

Child entrapment and suffocation are not problems of the past. Junked or abandoned appliances are still dangerous, even if they will “just sit for a few days.”

Before discarding your old refrigerator, take off the doors, and leave the shelves in place so that children may not easily climb inside.

Electrical Connection

WARNING

Improper use of the grounded plug can result in electrical shock.

This fridge should be properly grounded for your safety. The power cord of this fridge is equipped with a three-prong plug which fits with a standard three prong wall outlet to minimize the possibility of electrical shock.

Do not under any circumstances cut or remove the third (ground) prong from the power cord supplied. For personal safety, this appliance must be properly grounded.

This appliance requires a standard 110 Volt AC 60Hz three-prong grounded electrical outlet. Ensure that the wall outlet and circuit been checked by a qualified electrician and confirmed to be properly grounded.

If only a 2-prong wall outlet is available, it is your responsibility and obligation to have it replaced with a properly grounded 3-prong wall outlet.

To prevent accidental injury, the cord should be secured behind the appliance and not left exposed or dangling.

This fridge should always be plugged into its own individual electrical outlet which has a voltage rating that matches the rating label on the appliance. This will allow the best performance and also prevent overloading house wiring circuits that could cause a fire hazard from overheating. Never unplug the fridge by pulling on the power cord. Always grip the plug head firmly and pull straight out from the receptacle. Immediately repair or replace all power cords that have become frayed or otherwise damaged. Do not use a cord that shows cracks or abrasion damage along its length or at either end.

When moving the appliance, be careful not to damage the power cord.

Extension Cord

Because of the potential safety hazards under certain conditions, it is strongly recommended that you **DON'T USE AN EXTENSION CARD** with this appliance. However, if you must use an extension

cord, it is absolutely necessary that it be a UL/CUL-Listed, 3-wire grounded type appliance extension cord having a grounding type plug & outlet and the electrical rating of the cord 110 volts.

Installing the refrigerator

BEFORE USING YOUR APPLIANCE

Remove the exterior and interior packing.

Before connecting the appliance to the power source, let it stand upright for approximately 24 hours. This will reduce the possibility of a malfunction in the cooling system from handling during transportation.

Clean the interior surface with lukewarm water using a soft cloth.

Install the handle on the door, if it is not already attached (see below).

INSTALLATION OF YOUR APPLIANCE

The appliance is designed for built-in recessed or free-standing installation.

Note: This appliance may be used for the storage of medicine and other medical products.

Place your appliance on a floor that is strong enough to support it when it is fully loaded. To level the unit, adjust the front leveling legs.

Take care that the air vent at the front of the appliance is never covered or blocked in any way. Note: It is recommended that you do not install the appliance near an oven, radiator or other heating source. Heat sources may increase electrical consumption. Don't install in a location where the temperature will fall below 50 ° F (10°C). For best performance, do not install the appliance behind a cabinet door or block the base grille.

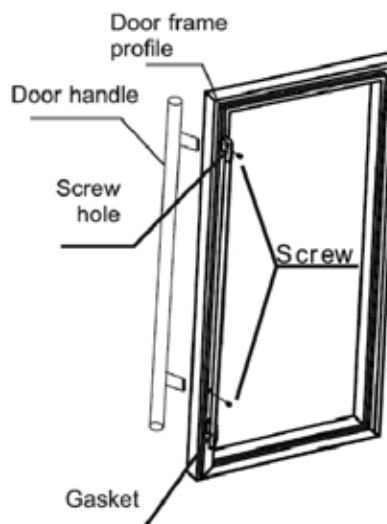
Avoid locating the unit in moist areas.

Plug the appliance into an dedicated, properly grounded wall outlet.

Installing the stainless steel handle

To install the handle, follow the instructions below.

1. Remove the rubber gasket from the right side of the inside of the door. (you don't need to remove the whole gasket, just the side that covers the openings for the screws).
2. Remove the screws from the included bag. Feed the screws through the holes from the inside until they poke through to the outside front of the door.
3. Align the handle with the two screws, then tighten the screws into the handle using a screwdriver until the handle is both flush and secured tightly against the door frame. **DO NOT** over-tighten the screws, as you may cause damage to the door frame.
4. Make sure gasket B back to it's normal position.

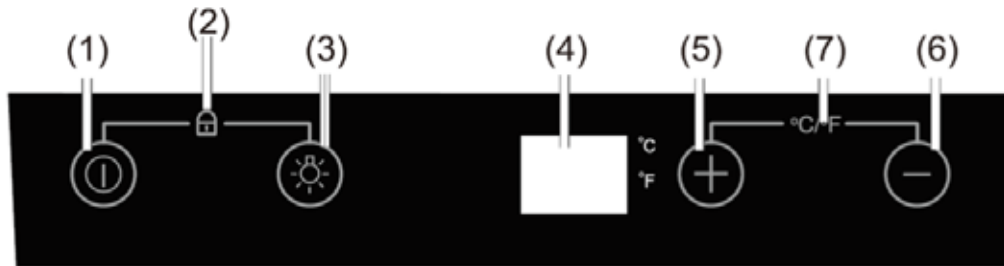
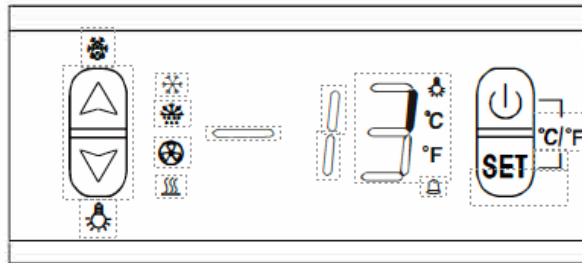


Operating Instructions

It is recommended that you install the appliance in a place where the ambient temperature is above 0 F (~10 C) and below 110 F (~43 C). If the ambient temperature is above or below the recommended range, the performance of the unit may be affected.

For example, placing your unit in extremely cold or hot conditions may cause interior temperatures to fluctuate, preventing the fridge from reaching the target temperature.

Control Panel



1. Power: Press and hold to enable or disable power to the unit, even while the unit is still plugged in.
2. Control Lock: Press and hold the power and light buttons simultaneously to lock or unlock the control panel. When the panel is locked, no buttons will work other than the unlock function.
3. Lights: Press to turn the interior light on or off.
4. Display: Shows the currently set target temperature.
5. Temperature Increase: Press once to increase temperature by 1.
6. Temperature Decrease: Press once to decrease temperature by 1.
7. Celsius/Fahrenheit Switch: Press and hold both temperature buttons to switch the display temperature between Celsius and Fahrenheit.

DOOR LOCK

Your unit comes with a lock and key. Insert the key into the lock and turn it counter-clockwise to unlock the door. To lock the door, turn the key clockwise, making sure the metal pin is engaged completely. Be sure to keep your keys in a safe place where they won't be easily lost.

“DOOR OPEN” ALARM

Your unit will start beeping if the door is left open for more than 60 seconds. Close the door to disable the alarm.

Cleaning & Maintenance

⚠ CAUTION ⚠

Failure to unplug the fridge during cleaning could result in electrical shock or other personal injury.

CLEANING YOUR FRIDGE

- Turn off the power, unplug the fridge, and remove all items, including shelves.
- Wash the inside surfaces with a solution of warm water and baking soda (about 2 tablespoons of baking soda per 4 cups of water).
- Wash the shelves with a mild detergent solution.
- Wring excess water out of the sponge or cloth before cleaning the area where the controls are located, or any place on or near electrical parts.
- Wash the outside of the fridge with warm water and a mild liquid detergent. Rinse well and wipe dry with a clean and soft cloth.
- Use an approved stainless steel cleaner to clean the door frame and handle. Do not use steel wool or a steel brush on the stainless steel.

POWER FAILURE

Most power failures are corrected within a few hours and they should not affect the temperature of your fridge, as long as you avoid opening the door. If the power is going to be off for a longer period of time, it is recommended that you transfer all perishable/ sensitive contents to a functional fridge or cooler. To prevent odor and mold growth, leave the door open slightly, blocking it open if necessary. Lay a towel down below the open front of the fridge in case any frost buildup melts and drains out.

VACATION TIME

Short vacations: Leave the fridge running during vacations that are shorter than three weeks.

Long vacations: If the fridge will not be used for a month or more, remove all items and turn it off. Clean and dry the interior thoroughly. To prevent odor and mold growth, leave the door open slightly; blocking it open if necessary. Lay a towel down below the open front of the fridge in case any frost buildup melts and drains out.

MOVING YOUR APPLIANCE

1. Remove all contents.
2. Securely tape down all loose items (shelves) inside your appliance.
3. Turn the adjustable feet up to the base to avoid damaging them.
4. Tape the door shut.
5. Be sure the fridge stays secure in an upright position during transportation. Also, protect the outside of the appliance with a blanket or similar item.

ENERGY SAVING TIPS

- The appliance should be placed in the coolest location possible, away from heat-producing appliances and out of direct sunlight.
- Ensure that the unit is adequately ventilated. Never cover air vents.
- Do not keep the door open any longer than necessary.
- Let hot foods cool to room temperature before storing them in the fridge.
- Do not overload the fridge, as it forces the compressor to run more frequently, increasing the power consumption.
- Be sure to wrap foods properly, and wipe containers dry before placing them in the fridge, in order to prevent frost buildup.
- Do not line shelves with aluminum foil, wax paper, or paper towels, as they will prevent proper air circulation.

Troubleshooting

You can solve many common problems easily, saving you the cost of time spent communicating with customer service. Try the suggestions below to see if the problem you're facing has a simple solution.

| Problem | Possible Causes | Solution |
|--|--|--|
| The fridge isn't working. | It isn't connected to a power supply. | Plug in the fridge. |
| | The fridge isn't turned on. | Turn on the fridge. |
| | The circuit breaker is tripped, or a fuse has been blown. | Turn the circuit breaker back on or replace the fuse. |
| The fridge isn't cold enough. | The temperature is not set correctly. | Check the set temperature. |
| | The ambient temperature could require a lower temperature setting. | Set to a lower temperature. |
| | The door is being opened too often. | Do not open the door more often than necessary. |
| | The door was not closed completely. | Close door properly. |
| | The door is not hermetically sealed. | Check the door seal and clean or replace if it does not provide a proper seal. |
| | The condenser is too dirty. | Clean the condenser when necessary. |
| | The ventilation opening is blocked or too dusty. | Clear any obstructions and clean the dust. |
| The fridge is vibrating or shaking a lot during operation. | The fridge is not properly leveled. | Level the fridge with the adjustable feet or casters. |

Troubleshooting

| Problem | Possible Causes | Solution |
|--|---|--|
| The fridge turns itself on and off frequently. | The room temperature is higher than normal. | Move the fridge to a cooler place. |
| | A large amount of food has been placed in the fridge. | Let the fridge run for a while to see if it reaches the set temperature. |
| | The door is being opened too often. | Do not open the door more often than necessary. |
| | The door was not closed completely. | Close door properly. |
| | The door is not hermetically sealed. | Check the door seal and clean or replace if it does not provide a proper seal. |
| The interior lighting doesn't work. | It isn't connected to a power supply. | Plug in the fridge. |
| | The lighting is turned off. | Turn on the lighting by pressing the lighting button on the control panel. |
| | The circuit breaker is tripped or a fuse has been blown. | Turn the circuit breaker back on or replace the fuse. |
| The fridge is making too much noise. | As the refrigerant flows through the fridge, you may hear rattling or gurgling noises. Both are normal. When temperature fluctuation occurs, the expansion and contraction of the inner walls of the fridge may cause popping or crackling noises, which are also normal. | |
| | The fridge is not properly leveled. | Level the fridge with the adjustable feet or casters. |

Troubleshooting

| Problem | Possible Causes | Solution |
|-------------------------------------|--|--|
| The door will not close properly. | The fridge is not properly leveled. | Level the fridge with the adjustable feet or casters. |
| | The door was reversed and not properly installed. | Check the door hinge and reassemble correctly. |
| | The gasket is dirty. | Clean the door gasket. |
| | The shelves are out of position. | Check the shelves and refit correctly to make sure they don't interfere with the door. |
| The fridge is beeping consistently. | The door has been left open for more than 60 seconds. | Close the door and leave it closed for at least 15 minutes. |
| | The temperature has suddenly changed significantly from the set temperature. | Leave the door closed and wait for the unit to reach the set temperature. |

Rating Plates

WFR-15



Outdoor refrigerator

| | |
|--------------------|-------------|
| Model | WFR-15 |
| Rated Voltage | 110VAC |
| Rated Frequency | 60Hz |
| Storage Volume | 90L |
| Rated Current | 110W/1.3A |
| Refrigerant | R600a (22g) |
| High Side Pressure | 1.52MPa |
| Low Side Pressure | 0.3MPa |

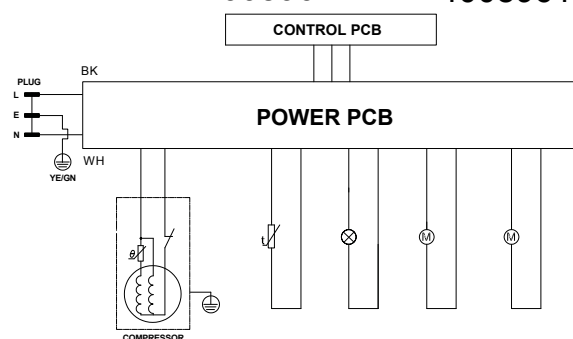
CONFORMS TO UL STD.
60335-1 & 60335-2-24
CERTIFIED TO CSA STD. C22.2# NO.
60335-1 & 60335-2-24



Intertek
4008961



Intertek
4008961



Rating Plates

WFR-24



CONFORMS TO UL STD.
60335-1 & 60335-2-24
CERTIFIED TO CSA STD.C22.2# NO.
60335-1 & 60335-2-24



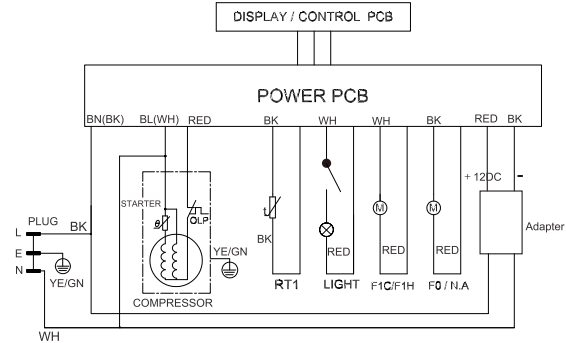
Intertek
4008961



Intertek
4008961

Outdoor refrigerator

| | |
|--------------------|-------------|
| Model | WFR-24 |
| Rated Voltage | 115VAC |
| Rated Frequency | 60Hz |
| Storage Volume | 150L |
| Rated Current | 110W/1.3A |
| IP Rating | IPX4 |
| Refrigerant | R600a (28g) |
| High Side Pressure | 1.52MPa |
| Low Side Pressure | 0.3MPa |



WFRDD-24



CONFORMS TO UL STD.
60335-1 & 60335-2-24
CERTIFIED TO CSA STD.C22.2# NO.
60335-1 & 60335-2-24



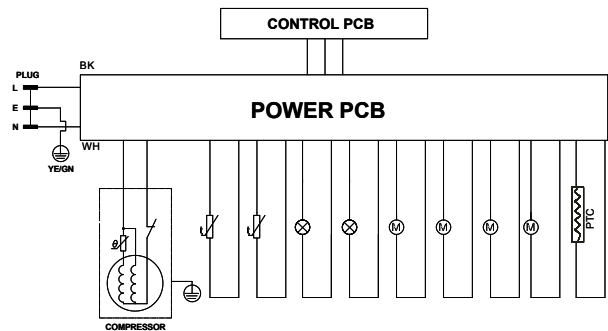
Intertek
4008961



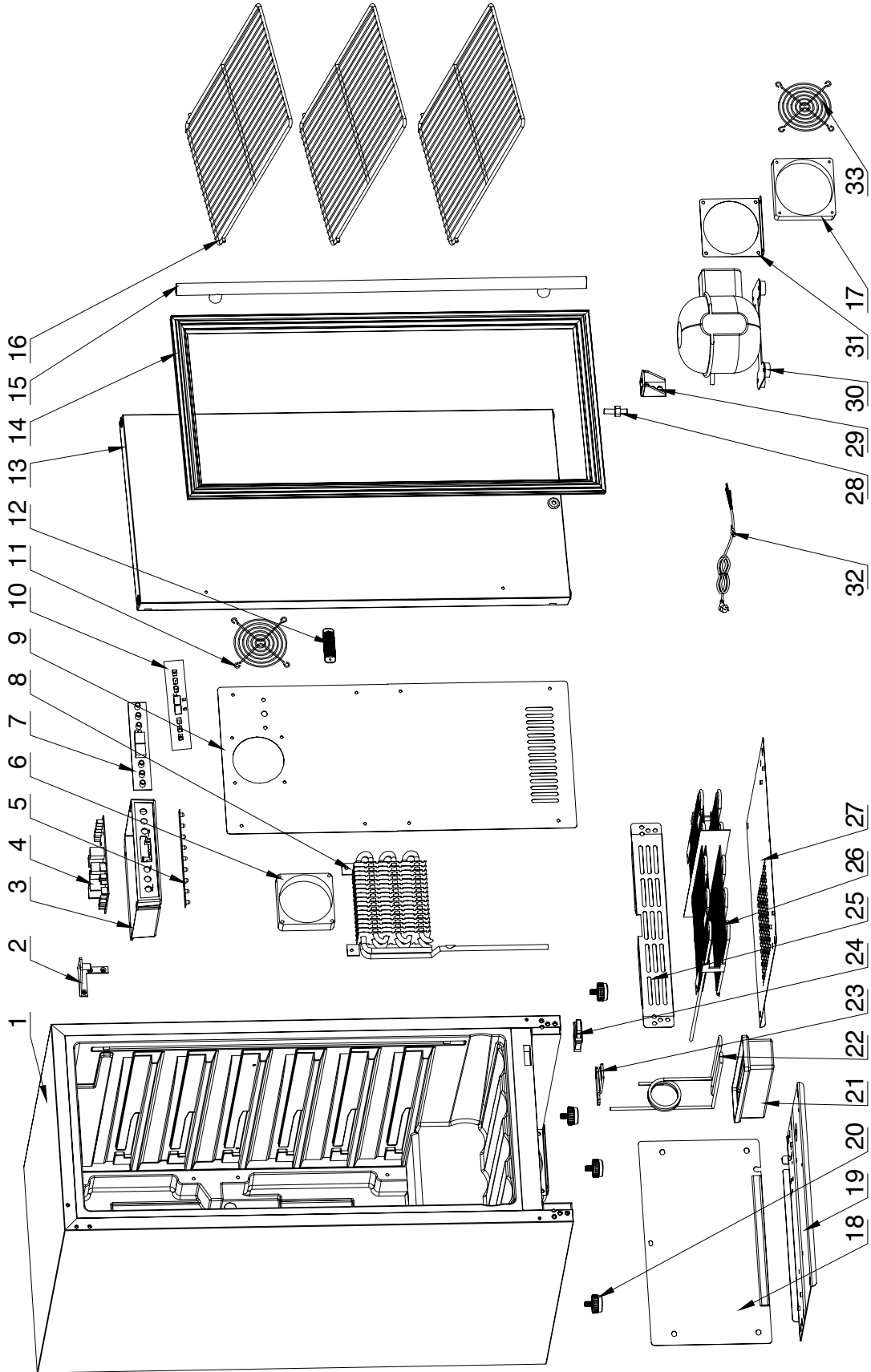
Intertek
4008961

Outdoor refrigerator

| | |
|--------------------|-------------|
| Model | WFRDD-24 |
| Rated Voltage | 115VAC |
| Rated Frequency | 60Hz |
| Storage Volume | 150L |
| Rated Current | 110W/1.3A |
| IP Rating | IPX4 |
| Refrigerant | R600a (28g) |
| High Side Pressure | 1.52MPa |
| Low Side Pressure | 0.3MPa |



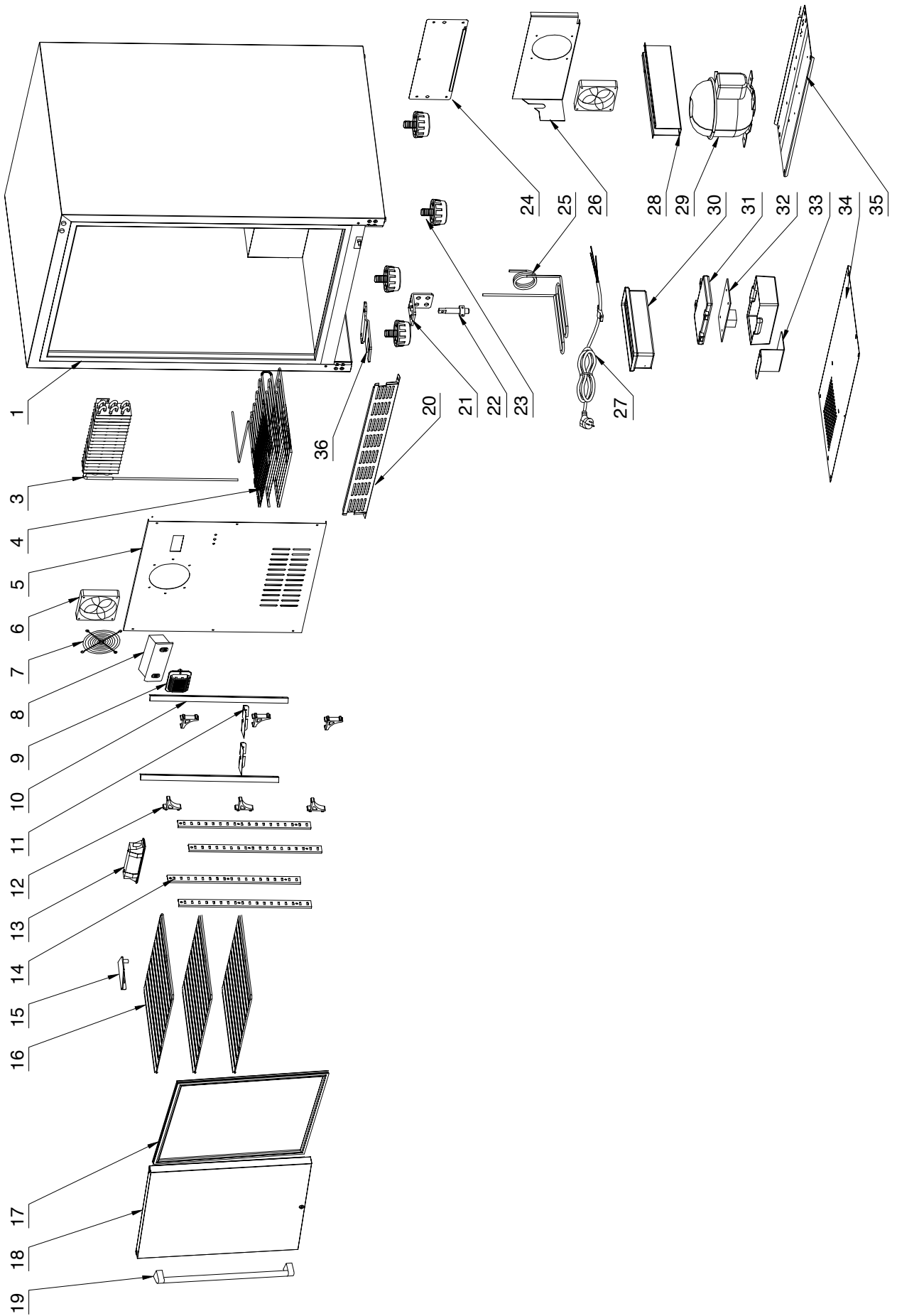
WFR-15 Exploded Parts View



WFR-15 Parts Listing

| WFR-15 | | | |
|--------|-----------------------------------|-----|----------|
| No. | Name | Qty | Part No. |
| 1 | cabinet | 1 | 02-00559 |
| 2 | upper door hinge | 1 | 02-00560 |
| 3 | controller | 1 | 01-00132 |
| 4 | power board | 1 | 01-00133 |
| 5 | LED light | 1 | 01-00134 |
| 6 | evaporator fan | 1 | 01-00040 |
| 7 | control board | 1 | 01-00135 |
| 8 | evaporator | 1 | 10-00039 |
| 9 | evaporator fan installation plate | 1 | 02-00562 |
| 10 | controller sticker | 1 | 09-00011 |
| 11 | evaporator fan cover1 | 1 | 02-00457 |
| 12 | sensor cover | 1 | 02-00562 |
| 13 | solid door | 1 | 02-00563 |
| 14 | gasket | 1 | 03-00089 |
| 15 | handle | 1 | 02-00555 |
| 16 | shelf | 3 | 02-00564 |
| 17 | condenser fan | 1 | 01-00136 |
| 18 | back grill | 1 | 02-00565 |
| 19 | compressor base plate | 1 | 02-00566 |
| 20 | foot | 4 | 02-00567 |
| 21 | drip tray | 1 | 03-00090 |
| 22 | drip tray evaporating pipe | 1 | 10-00040 |
| 23 | Lock fixing plate | 1 | 02-00558 |
| 24 | switch | 1 | 01-00137 |
| 25 | kick plate | 1 | 02-00568 |
| 26 | condenser | 1 | 10-00041 |
| 27 | bottom seal plate | 1 | 02-00569 |
| 28 | bottom door hinge | 1 | 02-00557 |
| 29 | bottom door axes | 1 | 02-00570 |
| 30 | compressor base plate | 1 | 02-00571 |
| 31 | fan holder | 1 | 02-00572 |
| 32 | power cord | 1 | 01-00138 |
| 33 | evaporator fan cover2 | 1 | 02-00181 |

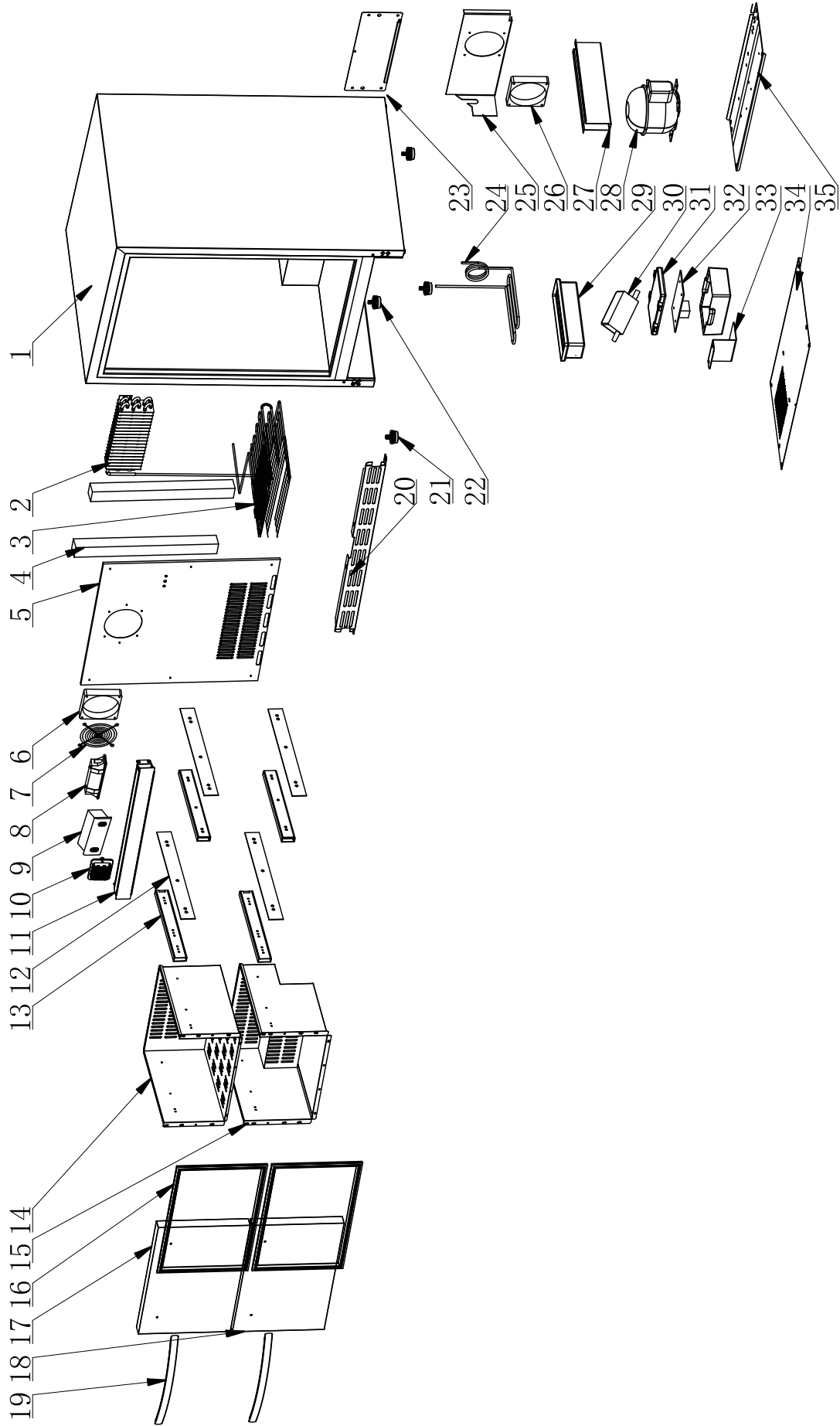
WFR-24 Exploded Parts View



WFR-24 Parts Listing

| WFR-24 24" | | | |
|------------|-----------------------------------|-----|-----------|
| No | Name | Qty | Part No |
| 1 | cabinet | 1 | 02-00179 |
| 2 | N/A | | |
| 3 | evaporator | 1 | 10-00038 |
| 4 | condenser | 1 | 10-00035 |
| 5 | evaporator fan installation plate | 1 | 02-00180 |
| 6 | evaporator fan | 1 | 01-00125 |
| 7 | fan cover | 1 | 02-00181 |
| 8 | digital controller | 1 | 01-00129 |
| 9 | sensor cover | 1 | 02-00460 |
| 10 | fan installation plate | 2 | 02-00182 |
| 11 | evaporator air clapboard | 2 | 02-00183 |
| 12 | shelf clip | 13 | 02-00184 |
| 13 | led light | 1 | 01-00098 |
| 14 | shelf ladder | 4 | 02-00137 |
| 15 | left door top hinge | 1 | 02-00138 |
| 16 | iron shelf | 3 | 02-00139 |
| 17 | gasket | 1 | 03-00088 |
| 18 | solid door | 1 | 02--00221 |
| 19 | handle | 1 | 02-00555 |
| 20 | kick plate | 1 | 02-00170 |
| 21 | bottom door axes | 1 | 02-00556 |
| 22 | bottom door hinge | 1 | 02-00557 |
| 23 | foot | 4 | 02-00172 |
| 24 | back grill | 1 | 02-00173 |
| 25 | dip tray evaporating pipe | 1 | 10-00036 |
| 26 | fan holder | 1 | 02-00175 |
| 27 | power cord | 1 | 01-00128 |
| 28 | condenser clapboard | 1 | 02-00176 |
| 29 | compressor | 1 | 10-00037 |
| 30 | drip tray | 1 | 03-00087 |
| 31 | power panel | 1 | 01-00130 |
| 32 | power circuit board | 1 | 01-00131 |
| 33 | power panel bracket | 1 | 02-00176 |
| 34 | bottom seal plate | 1 | 02-00177 |
| 35 | compressor base plate | 1 | 02-00178 |

WFRDD-24 Exploded Parts View



WFRDD-24 Parts Listing

| WFRDD-24 | | | |
|-----------|-----------------------------------|-------------|-----|
| Serial No | Name | Material No | Qty |
| 1 | Cabinet | D150001000 | 1 |
| 2 | Evaporator | C138005013 | 1 |
| 3 | Condenser | D150005004 | 1 |
| 4 | Fan Installation Plate | C150005002 | 2 |
| 5 | Evaporator Fan Installation Plate | D150005006 | 1 |
| 6 | Evaporator Fan | C138005009 | 1 |
| 7 | Fan Cover | C390F05003 | 1 |
| 8 | LED Light | C138006008 | 1 |
| 9 | Digital Controller | C138006003 | 1 |
| 10 | Sensor Cover | C138006010 | 1 |
| 11 | Middle Post | D150008000 | 1 |
| 12 | Guide Rail Subplate | D150004F10 | 4 |
| 13 | Left and Right Guide Rail | D150004C08 | 2 |
| 14 | Upper Drawer | D150004F06 | 1 |
| 15 | Bottom Drawer | D150004F07 | 1 |
| 16 | Gasket | D150004005 | 2 |
| 17 | Upper Drawer Door | D150004001 | 1 |
| 18 | Bottom Drawer Door | D150004002 | 1 |
| 19 | Handle | D150004020 | 2 |
| 20 | Kick Plate | C150005003 | 1 |
| 21 | Front Foot | SC46005037 | 2 |
| 22 | Lower Front Castor | SS10005037 | 2 |
| 23 | Back Grill | C138005002 | 1 |
| 24 | Drip Tray Evaporating Pipe | EX10805026 | 1 |
| 25 | Fan Holder | C150005005 | 1 |
| 26 | Condenser Fan | C138005009 | 1 |
| 27 | Condenser Clapboard | C150005004 | 1 |
| 28 | Compressor | SC46005018 | 1 |
| 29 | Drip Tray | EX10805025 | 1 |
| 30 | Power | SC23006A05 | 1 |
| 31 | Power Panel | C138006004 | 1 |
| 32 | Power Circuit Board | C138006002 | 1 |
| 33 | Power Panel Bracket | C138005018 | 1 |
| 34 | Bottom Seal Plate | C138005A03 | 1 |

DO NOT RETURN TO STORE!



CALL US FIRST

For immediate help with installation, product information or if your product arrives damaged, please call our toll-free number at:

602-344-4840

(Monday - Friday, 8:00AM - 5:00PM, AZ MST)

Or email us at:

customerservice@wildfireoutdoorliving.com

OUR STAFF IS READY TO PROVIDE ASSISTANCE



Copyright © 2023 RPG Brands (Wildfire Outdoor Living). All rights reserved. Products and specifications subject to change without notice. The product images shown are for illustration purposes only and may not be an exact representation of the product.