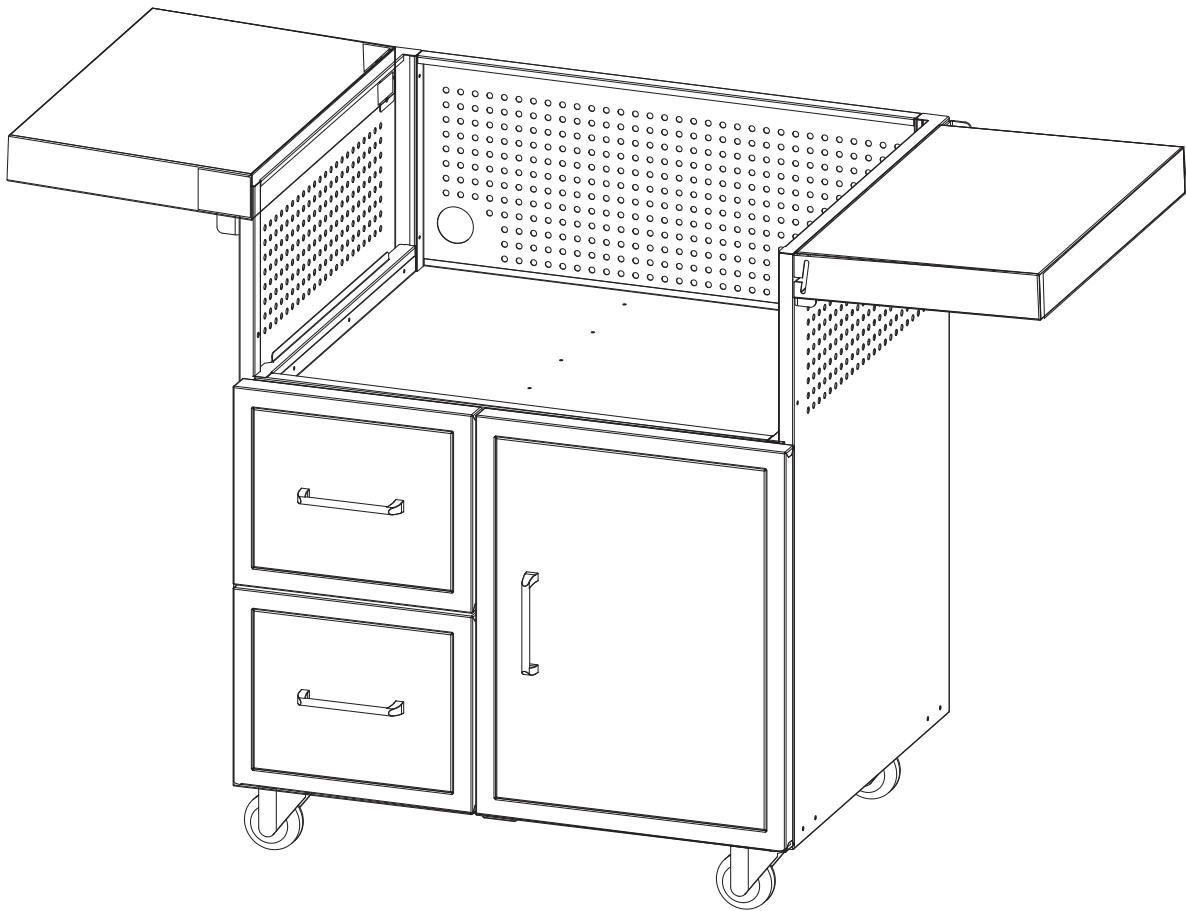




Black Stainless Steel Cart - Griddle
Instructional Guide
Outdoor Cart



AFFIX SERIAL NUMBER
LABEL HERE

WF-CART30-CG-BSS

FOR OUTDOOR USE ONLY

Precautions - Before You Use Your Griddle Cart

When properly cared for, your Wildfire griddle cart will provide safe, reliable service for many years. However, extreme care must be used since the griddle produces intense heat, which can cause serious injury or even death if the instructions are not followed carefully. When using this appliance, basic safety practices must be followed as outlined below.

1. NEVER LEAVE THE GRIDDLE UNATTENDED WHILE COOKING.
2. Children should not be left alone or unattended in an area where the griddle is being used. Never allow them to sit, stand, or play on or around the griddle. Do not store items of interest to children around or below the griddle or in the cart. Never allow children to crawl inside of the cart.
3. The griddle and cart shall be used only outdoors and shall not be used in buildings, garages, sheds, breezeways, or any enclosed areas. Do not operate the griddle under unprotected, combustible construction. Use only in well ventilated areas.
4. Do not use the griddle unless a leak check has been performed on all gas connections.
5. Portable LP cylinders - Always shut off the main valve on the liquid propane (LP) cylinder after each use. Never use a dented or rusted LP cylinder. Never attach or disconnect an LP cylinder, or move or alter gas fittings when the griddle is in operation or is hot.
6. Inspect LP gas supply hose prior to each use of the griddle. The hose must be kept away from heated areas of the griddle. If there is evidence of excessive abrasion or wear, or the hose is cut, it must be replaced before using the griddle. The hose and LP regulator are supplied as a complete assembly and must be replaced together. Do not attempt to repair or replace the hose itself.
7. Keep any electrical supply cord away from the heated areas of the griddle. The cord is provided with a 3-prong grounding plug which should not be removed or altered. Do not use this appliance with an ungrounded, 2-prong adapter. The cord must be plugged into a properly grounded GFCI-protected outlet.
8. Keep the areas surrounding the griddle free from combustible materials, trash, or combustible fluids and vapors such as gasoline or charcoal lighter fluid. Do not obstruct the flow of combustion gases (rear) and ventilation airways (front). Keep the rear area free and clear of debris, extra LP cylinders, etc. Do not block the ventilation louvers of the cart.
9. If your griddle is stored indoors, ensure that it is cool before moving. If propane is used, the LP cylinder must be disconnected and stored OUTSIDE in a well-ventilated area, out of the reach of children. A griddle cover is recommended, even when stored indoors.
10. Never move the griddle when hot. When in use, portions of the griddle are hot enough to cause severe burns.
11. Do not repair or replace any part of the cart unless specifically recommended in this manual. All other warranty and non-warranty service should be referred to and performed by a qualified technician.
12. Clean the griddle and cart with caution. Avoid steam burns - do not use a wet sponge or cloth to clean the griddle or cart while it is hot. Some cleaners produce noxious fumes or can ignite when applied to a hot surface. Be sure all griddle controls are turned off and the griddle and cart are cool before using any type of aerosol cleaner on or around the griddle and cart. The chemical that produces the spraying action could, in the presence of heat, ignite or cause metal parts to corrode. Clean and perform general maintenance on the griddle and cart twice a year. Watch for corrosion, cracks, or insect activity.
13. Do not overload the side shelves of the cart as this may result in damage to the unit, or personal injury. Do not sit, step, or push down on the side shelves. The maximum load rating of the side shelf is 25 lbs. (11.3 kg).

REMOVING PROTECTIVE FILM

Please notice that certain parts of the grill are covered in protective wrapping on stainless steel surface. It is a protective plastic coating. We put it on certain parts of the stainless steel to help protect them from getting scratched during shipping.

You **MUST REMOVE** first before using grill. If you are still having a tough time removing the protective coating, by waving a hair dryer over the area will loosen up the plastic and make it easier to remove.

Always be sure to remove the protective film before using the grill for the first time!



Care & Maintenance

Stainless Steel Care and Maintenance (Not for cooking surface)

It is a common misconception that stainless steel will maintain its original factory shine with little help from the consumer. Unfortunately, this is not true. Stainless steel will not stain, discolor, corrode, or rust as fast as other types of steel, but it is not fully stain or weather proof. If it is not properly maintained, all grades of stainless steel can face surface discoloration, corrosion and eventually rust. Any stainless steel that is exposed to the environment will require attention and care throughout its life to ensure that it keeps its shine and structural integrity.

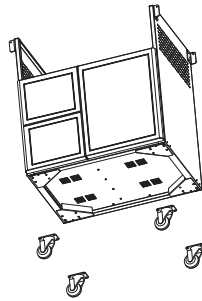
Cleaning the Stainless Steel and Polishing (Not for cooking surface)

1. Allow griddle to cool before cleaning/polishing stainless steel. Do not clean or polish your griddle's stainless steel when the griddle is in operation or still hot.
2. To clean the stainless steel, wash off all dirt and debris from the steel with warm water. If you have tough spots to clean, then a third-party degreaser product can be used.
3. Next, rinse and dry the steel thoroughly with a clean towel. Do not allow the steel to air dry as the standing water can cause surface discoloration.
4. The last step is to protect the unit with a good third-party polish. There are several third-party polishes on the market that will help keep your griddle protected from the elements for a longer period of time. Most of these polishes are toxic, so only use these on the exterior of the griddle. Follow instructions provided on any third-party polish products. Do not use such products on cooking grates or Flame Tamers.
 - a. Apply the polish to a clean paper towel and wipe with the direction of the grain in the stainless steel.
 - b. There should be no excess liquid on the surface but it is acceptable for it to be a little oily, as that will dissipate.
5. If your griddle has developed surface discoloration or surface rust, clean the unit as stated above and use a good third-party polish to remove or reduce the spots. Follow instructions provided on any third-party polish products. Wildfire does not insure or guarantee the performance of or results from such products.

WF-CART30-CG-BSS

STEP 1

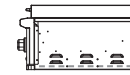
Attach wheels to cart. Wheels with brakes in the front.



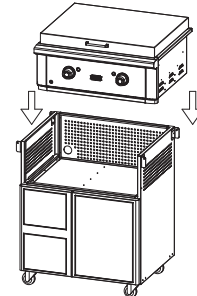
⊕ ⊖
Screw (4) M6 screws,
(4) spring washers
and (4) flat washer
for each wheel

STEP 2

Place head in cart.

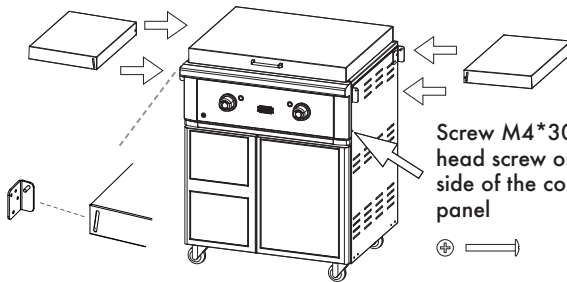


Remove (1) bottom
screw on each side
of control panel



STEP 3

Attach side shelves.



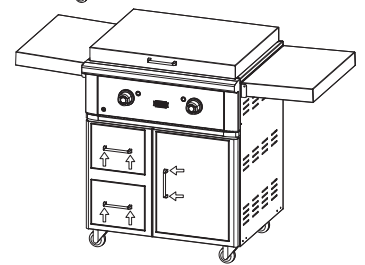
Screw M4*30 pan
head screw on each
side of the control
panel



STEP 4

Attach door handles.

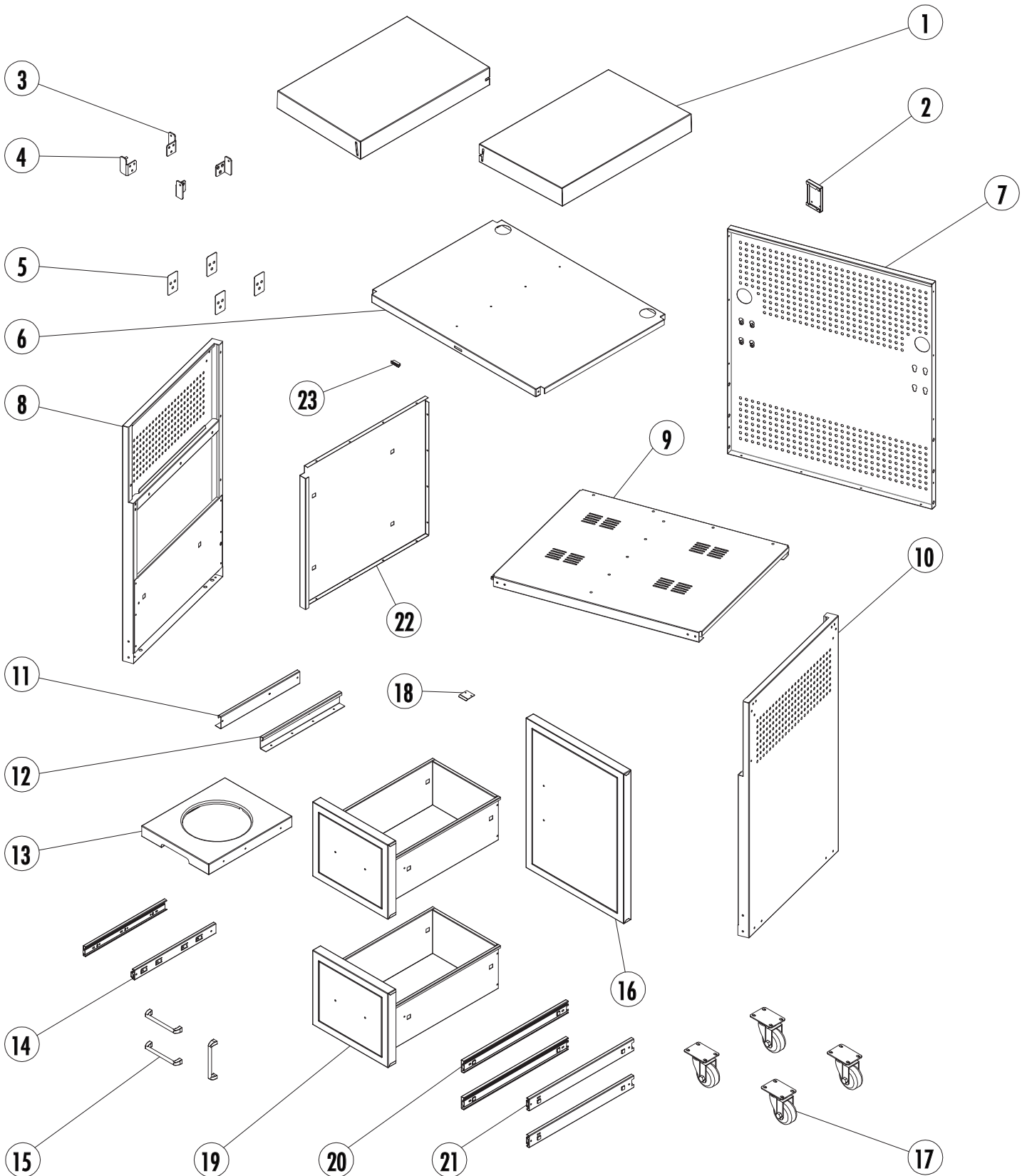
For further instructions
check out page "attach
handle(s) to Doors and
Drawers" page.



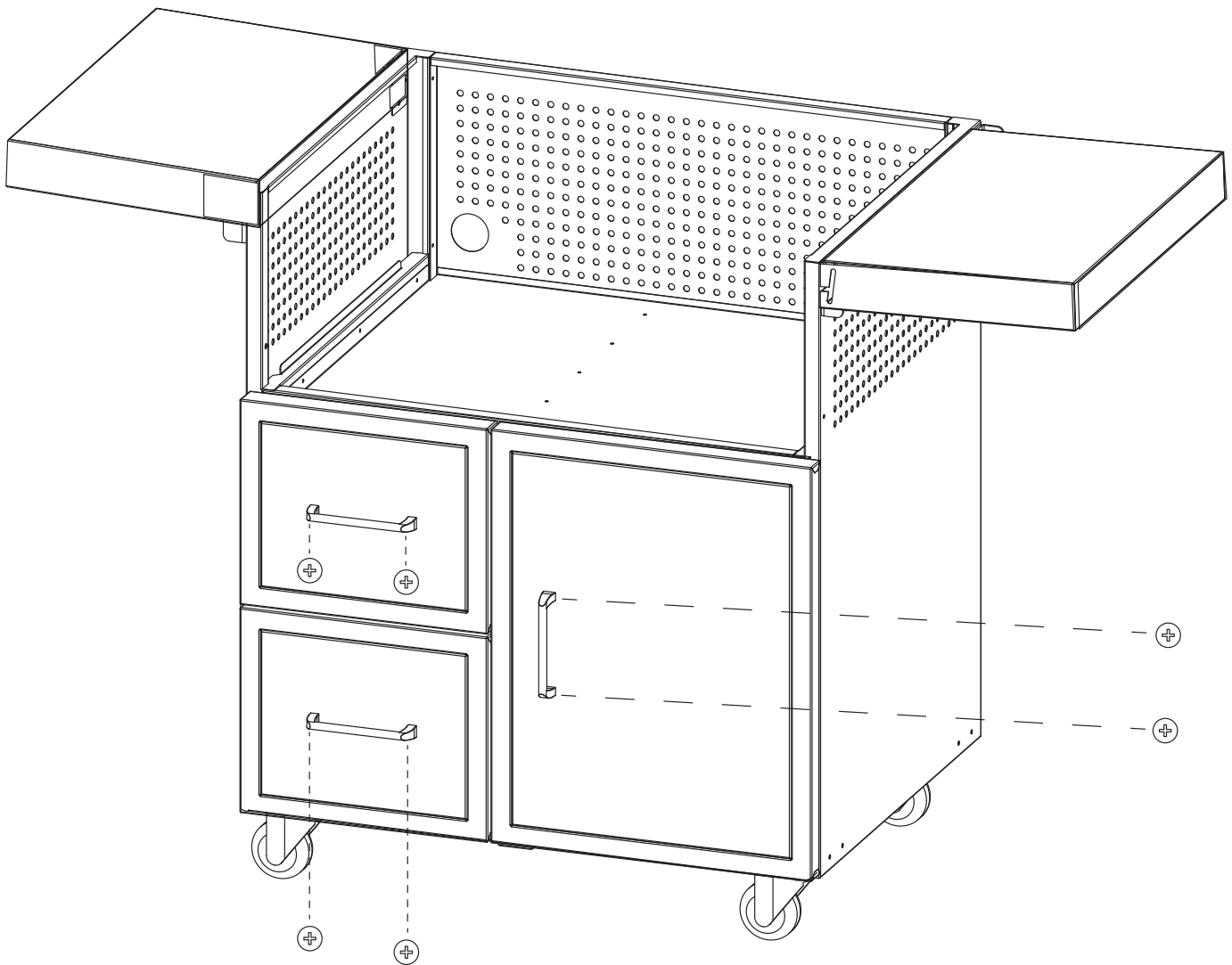
WF-CART30-CG-BSS - Parts List

No.	Name	Qty	Part No.
1	Side Shelf	2	02-00910
2	Transformer Holder	1	02-00911
3	Left Bracket	2	02-00912
4	Right Bracket	2	02-00913
5	Cable Holder	4	02-00914
6	Middle Plate	1	02-00915
7	Back Plate	1	02-00916
8	Left Plate	1	02-00917
9	Bottom Plate	1	02-00918
10	Right Plate	1	02-00919
11	Left Bracket for Slide	1	02-00920
12	Right Bracket for Slide	1	02-00921
13	Tank Holder	1	02-00922
14	Slide	2	02-00923
15	Handle for Door & Drawer	3	02-00924
16	Door Panel	1	02-00925
17	Wheels	4	02-00926
18	Door Stopper	1	02-00927
19	Drawer	2	02-00928
20	Left Slide for Drawer	2	02-00929
21	Right Slide for Drawer	2	02-00930
22	Middle Panel	1	02-00931
23	Door Magnet	2	02-00932

WF-CART30-CG-BSS - Exploded Parts View



Attach Handle(s) to Doors and Drawers



Attach Handle to the Door and Drawer Handles to the Drawers

The door handle and hardware come packaged separately from the rest of the hardware. Two screws hold handle to the door. Take care as to not scratch the door by laying them on a soft surface. Hint: While on a soft surface on a work area like a table, hang the door off the edge just to the point where the holes are exposed for door handle. Place the screw in your screw driver then guide the screw into the hole on the door. Once in place, move the handle to the screw and get it started a small amount. This gives flexibility when attaching the second screw. Once both screws are in place, tighten completely.

Limited Lifetime Warranty

TO THE MAXIMUM EXTENT PERMITTED BY LAW, THIS LIMITED LIFETIME WARRANTY AND THE REMEDIES SET FORTH BELOW ARE EXCLUSIVE AND IN LIEU OF ALL OTHER WARRANTIES, REMEDIES AND CONDITIONS, WHETHER ORAL OR WRITTEN, EXPRESS OR IMPLIED. TO THE MAXIMUM EXTENT PERMITTED BY LAW, WILDFIRE OUTDOOR LIVING ALSO SPECIFICALLY DISCLAIMS ANY AND ALL IMPLIED WARRANTIES, INCLUDING, WITHOUT LIMITATION, WARRANTIES OF MERCHANTABILITY AND FITNESS FOR A PARTICULAR PURPOSE.

WILDFIRE OUTDOOR LIVING PRODUCTS LIMITED LIFETIME WARRANTY – Wildfire Outdoor Living warrants to the original purchaser at the original site of delivery with proof of purchase of each outdoor gas griddle/side griddle/side burner that when subject to normal residential use, it is free from defects in workmanship and materials. This warranty excludes griddles used in rental and commercial applications. This warranty excludes surface corrosion, scratches and discoloration which may occur during normal use.

It does NOT cover labor or labor related charges. There will be shipping and handling charge for the delivery of the warranty part(s).

This product has a limited lifetime warranty that starts at date of purchase and continues throughout the life of the product.

Under this warranty, Wildfire has the option to repair or replace any defective part of the product during the warranty period. This warranty does not cover normal wear of parts, damage resulting from any of the following: negligent use or misuse of the product, use on improper fuel/gas supply, use contrary to operating instructions, or alteration by any person other than a factory service center. The warranty period is not extended by such repair or replacement.

WARRANTY CLAIM PROCEDURE: If you require service or parts for your Wildfire side griddle, please contact our Warranty Service Center for factory direct assistance. Our hours of operation are 8 am to 4:30 pm MST. The phone number is 602-344-4840 and the email address is customerservice@wildfireoutdoorliving.com. Please have your model number, serial number and proof of purchase available for any warranty claim.

Wildfire Outdoor Living may require the return of defective parts for examination before issuing replacement parts. If you are required to return defective parts, shipping charges must be prepaid by the customer. Upon examination and to Wildfire Outdoor Living determination, if the original part is proven defective, Wildfire Outdoor Living may approve your claim and elect to replace such parts without charge. In every instance, the customer is responsible for shipping and handling of replacement parts. Component repair or replacement is the exclusive remedy under this limited warranty and Wildfire Outdoor Living shall not be liable for any incidental or consequential damages.

DO NOT RETURN TO STORE!



CALL US FIRST

For immediate help with installation, product information or if your product arrives damaged, please call our toll free number at:

602-344-4840

(Monday - Friday, 8:00AM - 5:00PM, AZ Mountain Time)

Or email us at

customerservice@wildfireoutdoorliving.com

OUR STAFF IS READY TO PROVIDE ASSISTANCE

